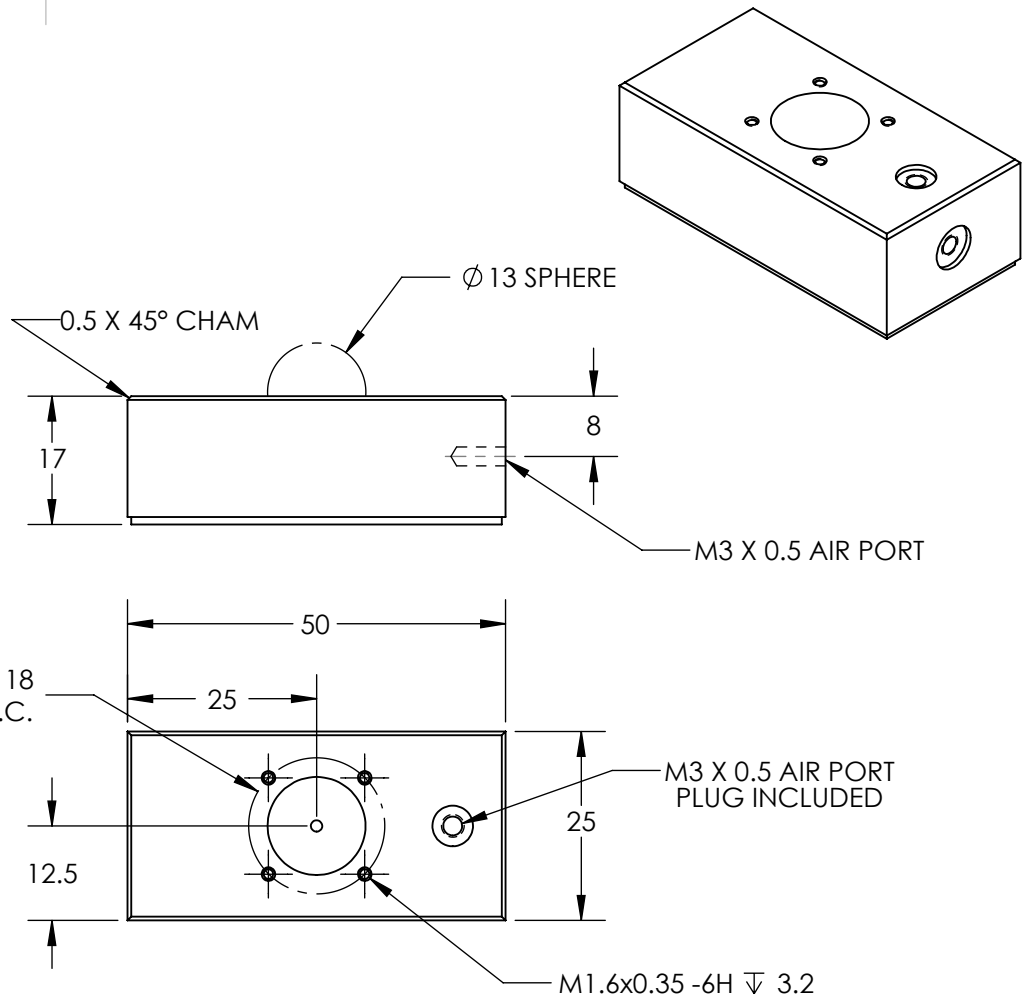


Title	Specification
Size	025mm x 050mm
Part Number	OAVF25L50
Input Pressure	0.27 to 0.68 MPa (40 to 100 PSI)
Ideal Load	243 N (55 lbs)
Stiffness	22 N/micron (0.13 lbs/ μ in)
Flow	1.1 NLPM (2.4 SCFH)
Fly Height	5 microns
Bearing Size	25mm x 50mm
Bearing Height	17 mm
Bearing Weight	47 grams
Housing Material/Finish	Aluminum/Anodized
Porous Media Material	Carbon
Flatness	0.0005 mm (0.00002 in)
Pressure Port Thread	M3 x 0.5



UNLESS OTHERWISE SPECIFIED:
DIMENSIONS ARE IN MILLIMETERS
SURFACE FINISH:
TOLERANCES:
LINEAR:
ANGULAR:

FINISH:

BLUE ANODIZE
AS PER MIL-A-8625

DEBUR AND
BREAK SHARP
EDGES

DO NOT SCALE DRAWING

REVISION

	NAME	SIGNATURE	DATE		
DRAWN					
CHK'D					
APPV'D					
MFG					
Q.A					
				MATERIAL:	
				ALUMINUM 7075/CARBON	
				WEIGHT:	

TITLE:

25MM X 50MM
FLAT RECTANGULAR
AIR BEARING

DWG NO.

OAVF25L50

A4

SCALE:1:1

SHEET 1 OF 1