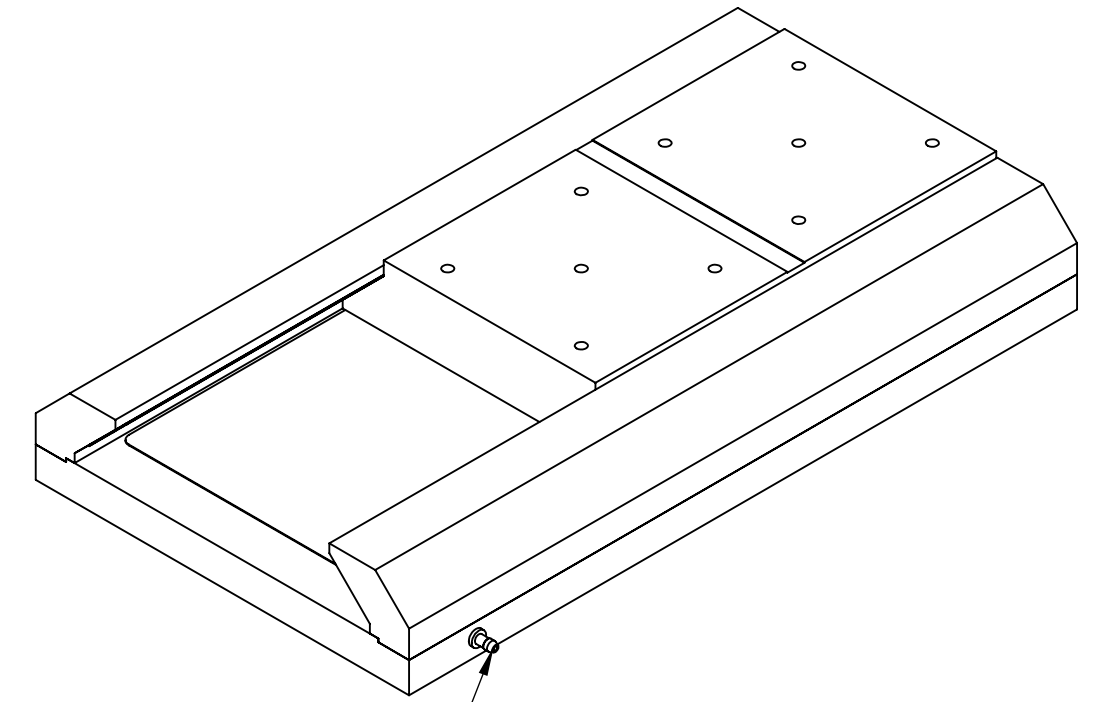
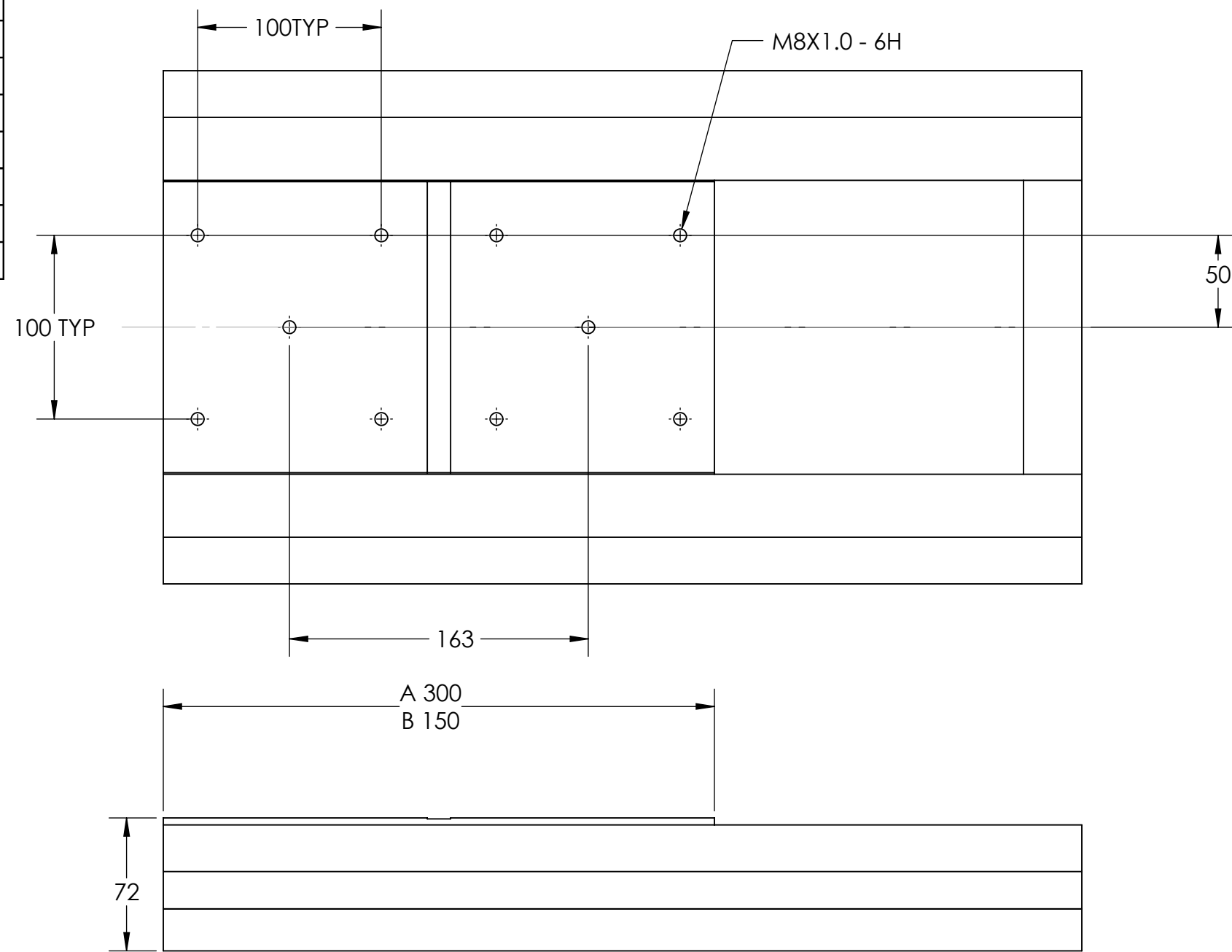


U-Series Series Linear Guide System

	size (mm x mm)	Load Capacity (lbs)		
		60 PSI	80 PSI	100 PSI
Z direction	150x150	450	600	750
	150x300	900	1200	1500
Y direction	150x150	123	164	205
	150x300	246	328	410

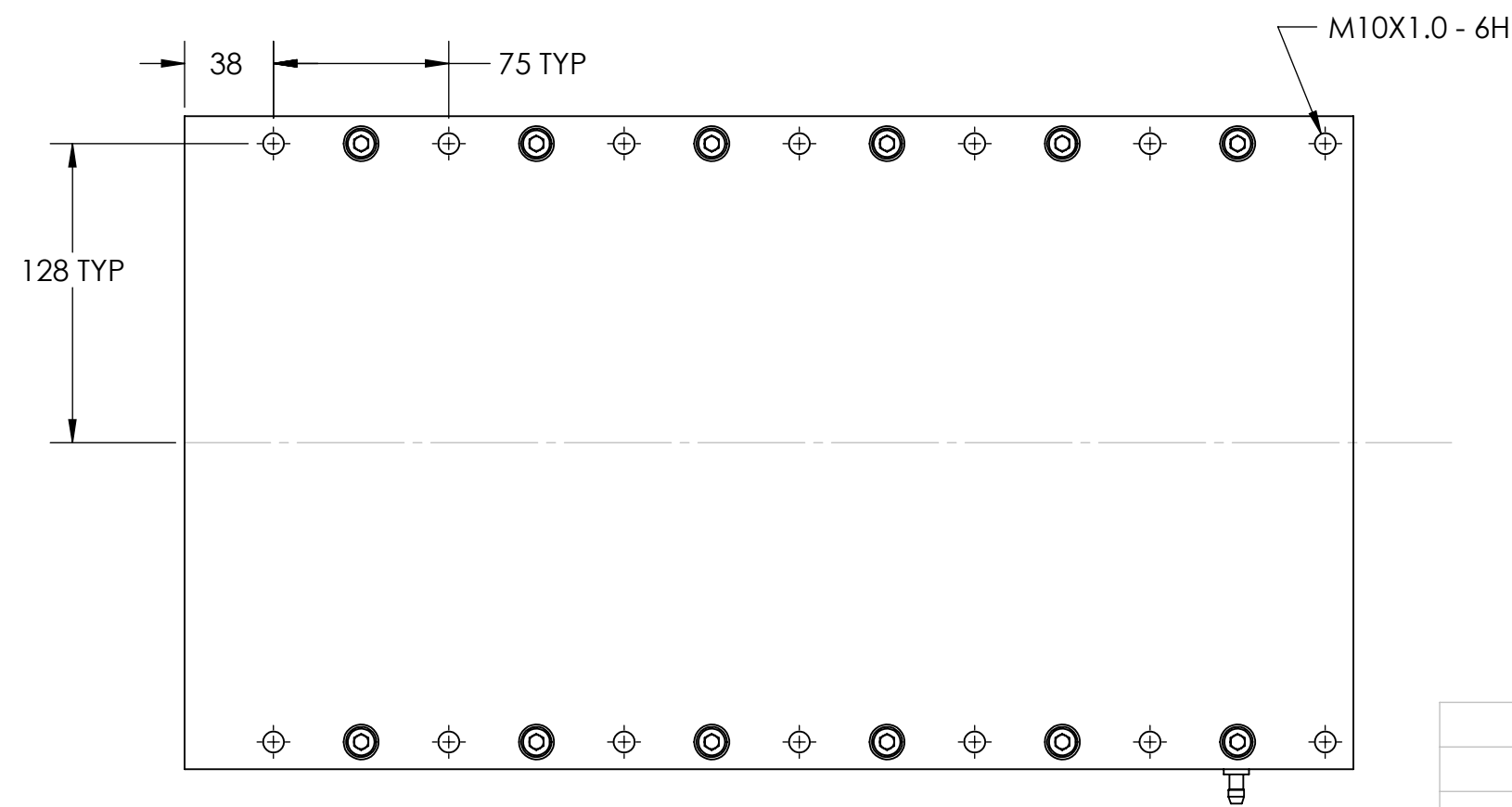
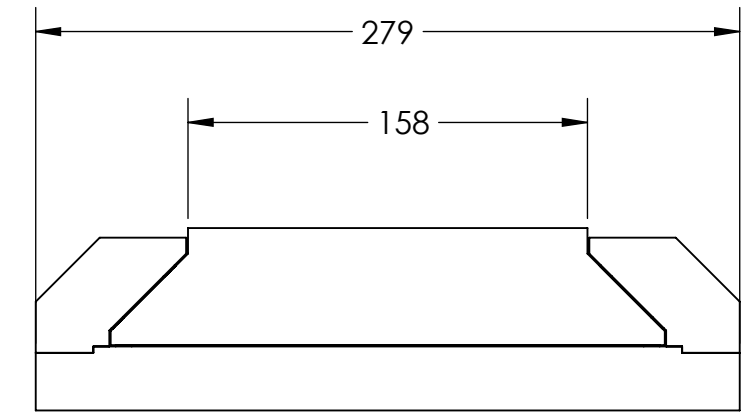
U-Series Series Linear Guide System

	size (mm x mm)	Max Moment (in-lbs)		
		60 PSI	80 PSI	100 PSI
Pitch	150x150	231	308	385
	150x300	750	1000	1250
Roll	150x150	252	336	420
	150x300	771	1028	1285
Yaw	150x150	105	140	175
	150x300	371	495	618




SCALE 1 : 4

Air Port



PROPRIETARY AND CONFIDENTIAL
 THE INFORMATION CONTAINED IN THIS DRAWING IS THE SOLE PROPERTY OF OAVCO LLC. ANY REPRODUCTION IN PART OR AS A WHOLE WITHOUT THE WRITTEN PERMISSION OF OAVCO LLC IS PROHIBITED.

UNLESS OTHERWISE SPECIFIED:		NAME	DATE
DIMENSIONS ARE IN MILLIMETERS		DRAWN	
TOLERANCES:		CHECKED	
FRACTIONAL ±		ENG APPR.	
ANGULAR: MACH ± BEND ±		MFG APPR.	
TWO PLACE DECIMAL ±		Q.A.	
THREE PLACE DECIMAL ±		COMMENTS:	
INTERPRET GEOMETRIC TOLERANCING PER:			
MATERIAL			
FINISH			
NEXT ASSY	USED ON		
APPLICATION			
DO NOT SCALE DRAWING			

TITLE:		REV
 U-SERIES RAIL GUIDE		
SIZE C	DWG. NO. U-Series_Spec	REV
SCALE: 1:3	WEIGHT:	SHEET 1 OF 1