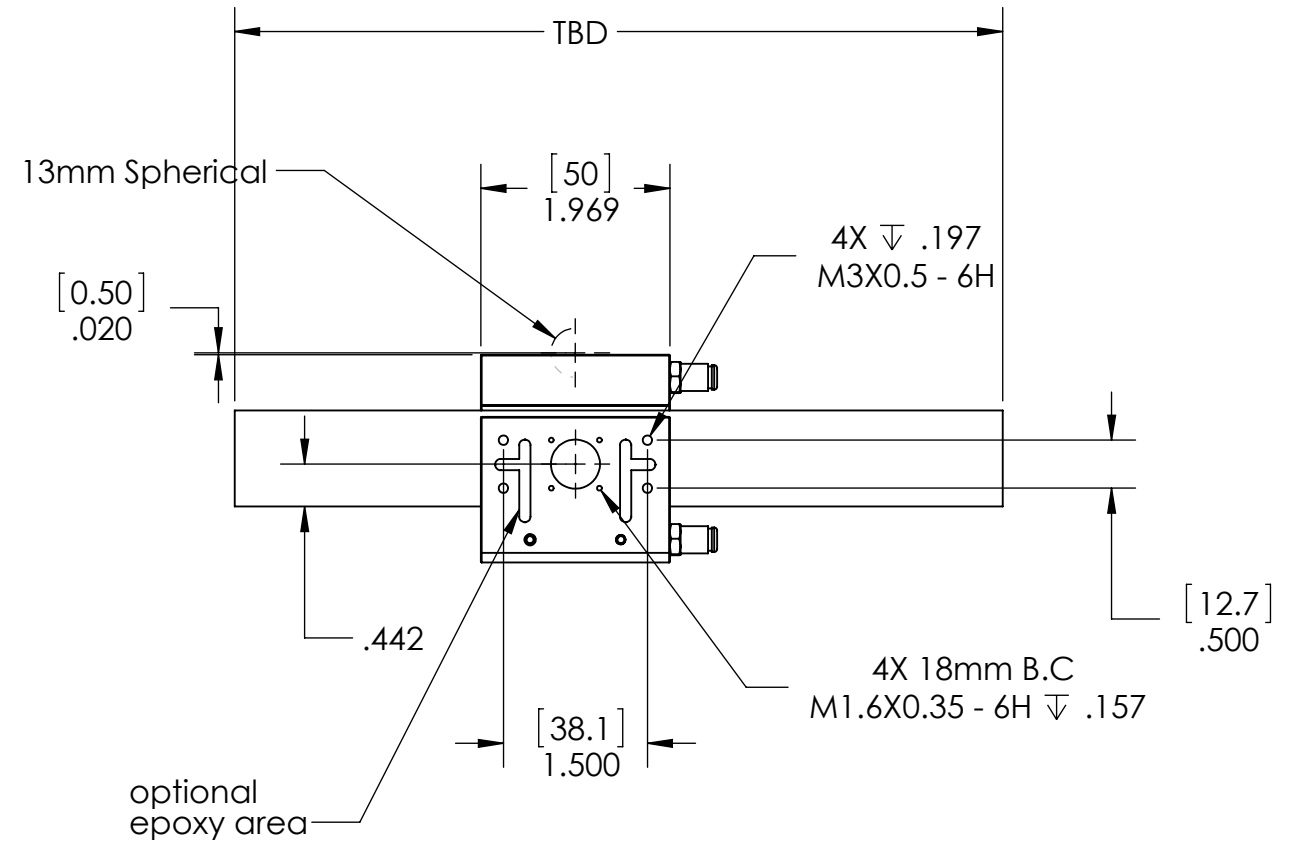
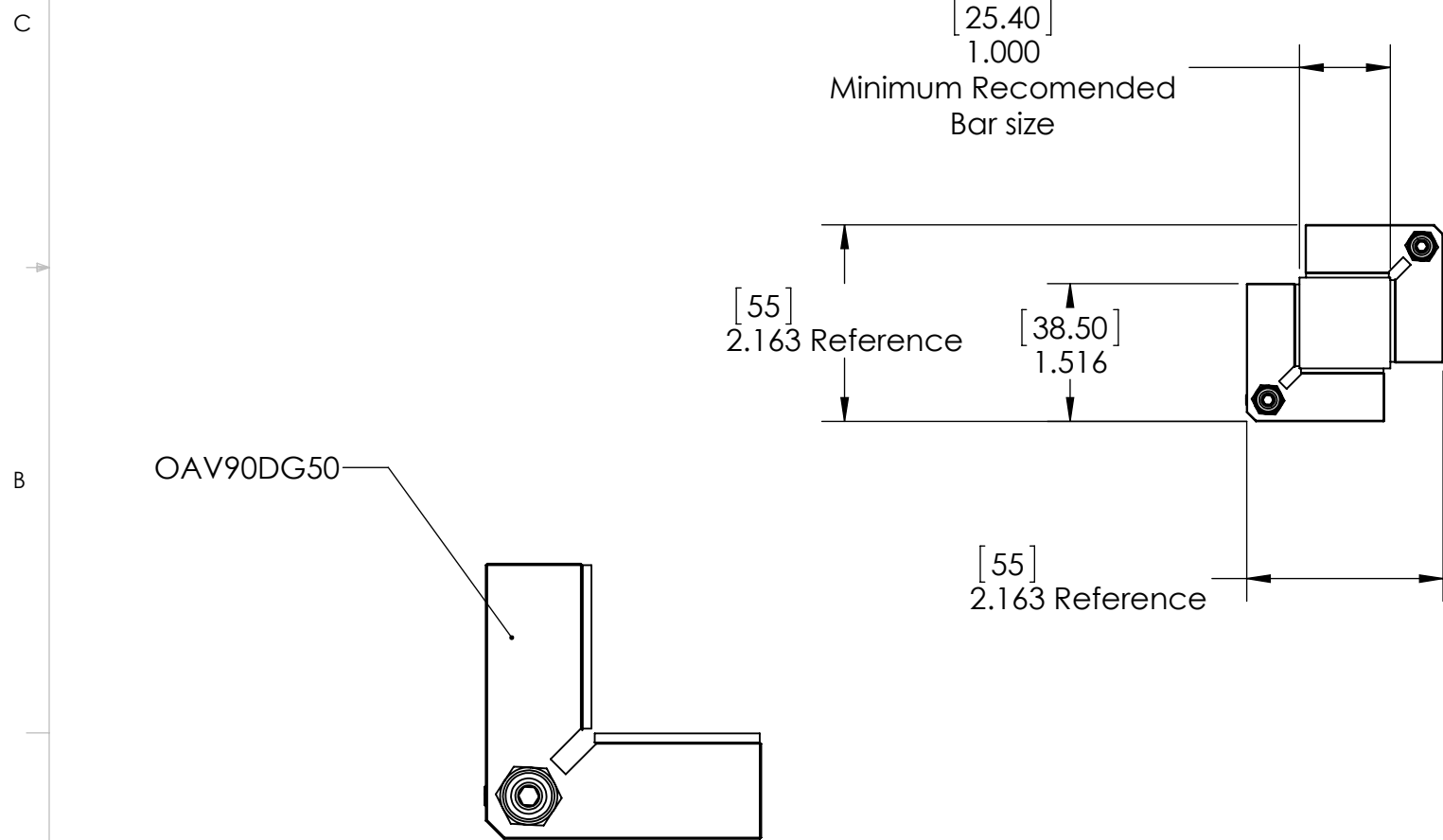
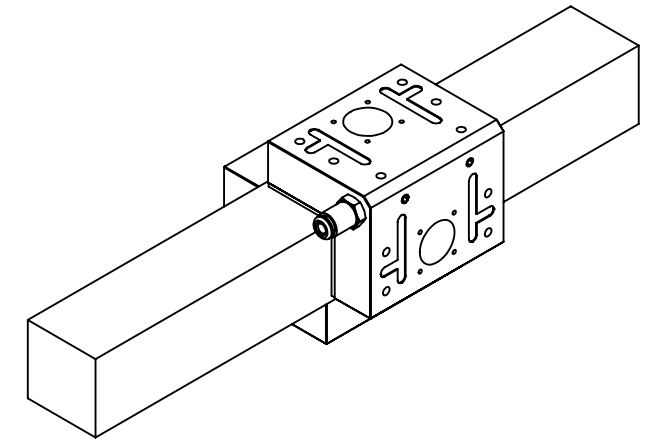


Title	Specification
Part Number	OAV90DG50
Input Pressure	0.27 to 0.68 MPa (40 to 100 PSI)
Ideal Load X	160 N (35 lbs)
Ideal Load Y	160 N (35 lbs)
Stiffness	14 N/micron (0.08 lbs/ μ in)
Flow	1.6 NLPM (3.4 SCFH)
Fly Height	4 microns
Bearing Size	38mm x 50mm
Bearing Height	38 mm
Bearing Weight	91 grams
Housing Material/Finish	Aluminum/ Anodized
Porous Media Material	Carbon
Flatness	0.0005 mm (0.00002 in)
Pressure Port Thread	M3 x 0.5



PROPRIETARY AND CONFIDENTIAL
 THE INFORMATION CONTAINED IN THIS DRAWING IS THE SOLE PROPERTY OF <INSERT COMPANY NAME HERE>. ANY REPRODUCTION IN PART OR AS A WHOLE WITHOUT THE WRITTEN PERMISSION OF <INSERT COMPANY NAME HERE> IS PROHIBITED.

UNLESS OTHERWISE SPECIFIED:	
DIMENSIONS ARE IN MM	
TOLERANCES:	
FRACTIONAL \pm	
ANGULAR: MACH \pm BEND \pm	
TWO PLACE DECIMAL \pm	
THREE PLACE DECIMAL \pm	
INTERPRET GEOMETRIC TOLERANCING PER:	
MATERIAL	
FINISH	
DO NOT SCALE DRAWING	

REV	NAME	DATE
	AE	04/19/19
	MS	04/19/19

REV	Description	DATE
TITLE: Modular Corner Air Bearing		
SIZE B	DWG. NO. OAV90DEG50-BSC	REV A
SCALE: 1:2	WEIGHT:	SHEET 1 OF 1

NEXT ASSY	USED ON
APPLICATION	